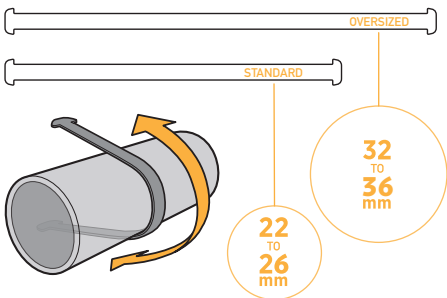
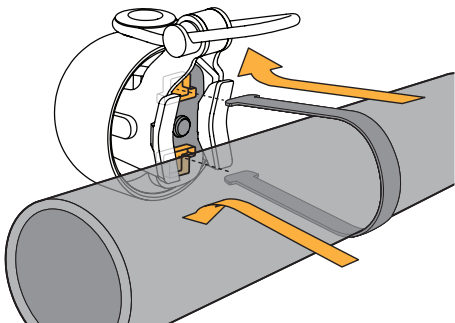


1 CHOOSE SMALL BAND OR LARGE BAND TO MATCH YOUR HANDLEBAR DIAMETER. WRAP THE BAND AROUND YOUR HANDLEBAR.



2 INSERT BAND ENDS INTO SLOTS INSIDE BELL AND RELEASE, ALLOWING BAND TO LOCK IN PLACE.



3 POSITION BELL FORWARD OR UPRIGHT ON YOUR HANDLEBAR. MAKE SURE THE DOME IS NOT TOUCHING ANY CABLES OR BRAKE LEVERS. SECURE WITH 2.5MM HEX. DON'T OVER TIGHTEN.

